

FEATURES AND SPECIFICATIONS

Features and Benefits

- Vertical or right angle PCB tails
- Multiple PCB tail lengths to accommodate various PCB thicknesses
- Polarized to prevent improper assembly and mating
- 4 circuits per pod
- Pod “snaps” into shroud with no tools required

Reference Information

Product Specification: PS-43510-001 and PS-5556-01
 Packaging Type: 43954 — Bag
 43955 — Tube
 UL File No.: E29179
 CSA File No.: LR19980
 Mates with: 43511 Use with: 43954—44040 Shroud
 43955—44041 Shroud
 Designed in: Millimeters

Electrical

Electrical Voltage: 600V
 Current: 11.0A max.
 Contact Resistance: 10mΩ max.
 Dielectric Withstanding Voltage: 1500V
 Insulation Resistance: 1000 MΩ min.

Mechanical

Contact Retention to Housing: 1.0kg min.
 Mating Force: .7kg (1.54 lb) max.
 Unmating Force: .05kg (.11 lb) max.
 Normal Force: 700g min.
 Durability: 30 cycles

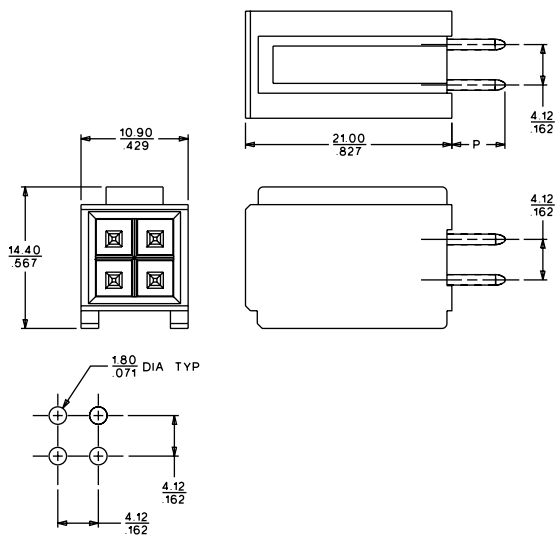
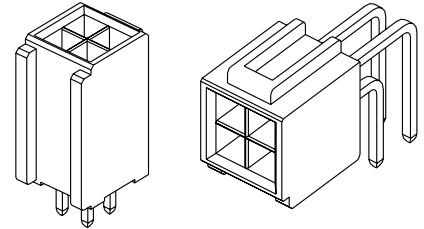
Physical

Physical Housing: Glass-filled nylon, UL 94V-0
 Contact: Brass
 Plating: Tin or Gold
 Temperature: -40 to +105°C

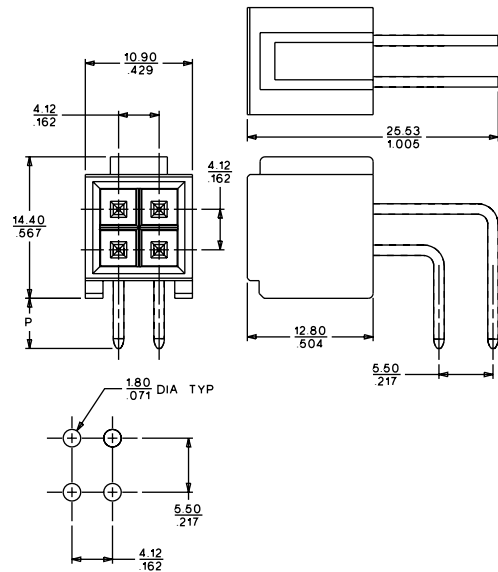
molex® 12.30mm (.484") Pitch COMPODRE™ Wire-To-Board Header Pod

43954/43955

Mini-Fit, Jr.™ Header Vertical and Right Angle



PCB LAYOUT: COMPONENT SIDE
 RECOMMENDED PCB THICKNESS: SEE TABLE



PCB LAYOUT: COMPONENT SIDE
 RECOMMENDED PCB THICKNESS: SEE TABLE

ORDERING INFORMATION AND DIMENSIONS

Description	Order No.	Plating	PCB Thickness
Mini-Fit, Jr. Right Angle Header Pod	43955-0101	Tin	.062
Mini-Fit, Jr. Right Angle Header Pod	43955-0201	30µ Select Gold	.062
Mini-Fit, Jr. Right Angle Header Pod	43955-0301	Tin	.093
Mini-Fit, Jr. Right Angle Header Pod	43955-0401	30µ Select Gold	.093
Mini-Fit, Jr. Right Angle Header Pod	43955-0501	Tin	.125
Mini-Fit, Jr. Right Angle Header Pod	43955-0601	30µ Select Gold	.125
Mini-Fit, Jr. Vertical Header Pod	43954-0101	Tin	.062
Mini-Fit, Jr. Vertical Header Pod	43954-0201	30µ Select Gold	.062
Mini-Fit, Jr. Vertical Header Pod	43954-0301	Tin	.093
Mini-Fit, Jr. Vertical Header Pod	43954-0401	30µ Select Gold	.093
Mini-Fit, Jr. Vertical Header Pod	43954-0501	Tin	.125
Mini-Fit, Jr. Vertical Header Pod	43954-0601	30µ Select Gold	.125